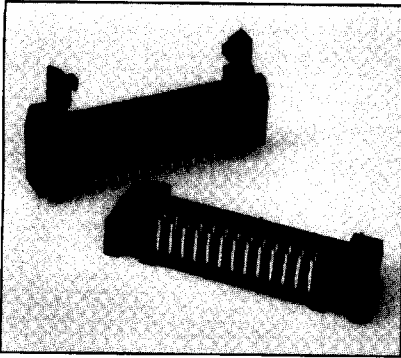


4 Sided .025" sq. Post Headers

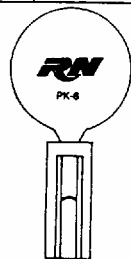
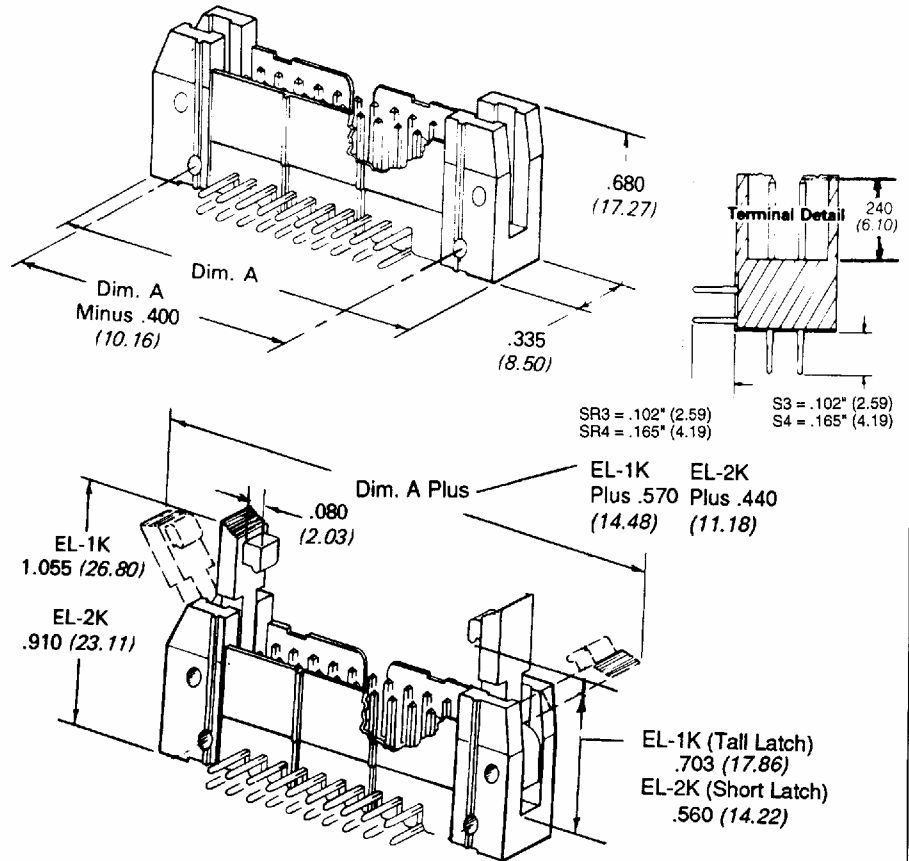
IDH-PK Series



- MIL-C-83503, DIN 41651 and BT-224 Compatible
- 4-sided body provides complete pin protection and polarization
- Available with ROBEX® better-than-gold plating

For Recommended PC Board Layout See Page 351.

| Tabulations | | | |
|-----------------|--------------------|--------------------|--------------------|
| No. of Contacts | Dim. A Inches (mm) | Dim. B Inches (mm) | Dim. C Inches (mm) |
| 10 | 1.260 (32.00) | 1.100 (27.94) | .400 (10.16) |
| 14 | 1.460 (37.08) | 1.300 (33.02) | .600 (15.24) |
| 16 | 1.560 (39.62) | 1.400 (35.56) | .700 (17.78) |
| 20 | 1.760 (44.70) | 1.600 (40.64) | .900 (22.86) |
| 26 | 2.060 (52.32) | 1.900 (48.26) | 1.200 (30.48) |
| 34 | 2.460 (62.48) | 2.300 (58.42) | 1.600 (40.64) |
| 40 | 2.760 (70.10) | 2.600 (66.04) | 1.900 (48.26) |
| 50 | 3.260 (82.80) | 3.100 (78.74) | 2.400 (60.96) |
| 60 | 3.760 (95.50) | 3.600 (91.44) | 2.900 (73.66) |



PK-6
Snap-In
Polarization
Key

IDC Product Specifications and Test Data

Electrical

| | |
|-----------------------------|--------------------------------------|
| Current Rating | 1 Amp |
| Insulation Resistance | >5 X 10 ⁹ Ohms at 500 VDC |
| Withstanding Voltage | 500 VRMS at Sea Level |
| Contact Resistance | 20 milliohms Maximum |

Environmental

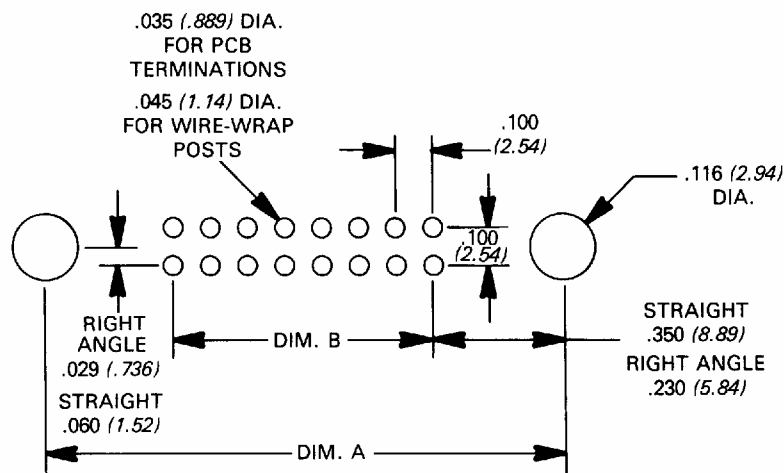
| | |
|---|---------------------------------|
| Operating Temperature | |
| Phos Bronze Contacts | -55°C to + 105°C |
| Be Cu Contacts | -55°C to + 125°C |
| Corrosive Atmosphere | |
| Ammonium Polysulfate (4 Hours) | R _C = 9.3 milliohms |
| Nitric Acid (1 Hour) | R _C = 8.4 milliohms |
| Salt Spray | |
| MIL-STD-1344, Method 1001, Condition B | R _C - 11.7 milliohms |
| + 35°C, 96 Hours | (no damage) |
| Humidity | |
| MIL-STD-1344, Method 1002, Type I, Condition B | R _C = 14.8 milliohms |
| 96 Hours, 95% Relative Humidity, + 40°C | (no damage) |
| Thermal Shock | |
| MIL-STD-1344, Method 1003, Condition A | R _C - 11.7 milliohms |
| -55°C to + 85°C (5 Cycles) | (no damage) |
| Mechanical Shock | |
| MIL-STD-1344, Method 2004, Condition G | No Discontinuity |
| 100 Gs, 6 milliSeconds Each Axis | |
| Vibration | |
| MIL-STD-1344, Method 2005, Condition 4 | No Discontinuity |
| 10-2000 Hz, 20 G Peak (12 Cycles) | |
| Temperature Life | |
| MIL-STD-1344, Method 1005, 1,000 Hours, Condition 4 | R _C - 14.9 milliohms |
| + 105°C | |
| Socket Durability | |
| 500 Cycles | R _C = <12 milliohms |

Note: For Complete test results on high reliability ROBEX® plating (TR and TR30), contact the factory.

.025" Sq. Post Headers

The detail below describes the recommended mounting hole patterns and hole sizes for the following post leader series: IDH-PK, IDH-K, IDH-LP.

Note: The mounting hole information will apply to IDH-PK and IDH-K Series only.



Inches (mm)

| No. of Contacts | Dim. A for Straight Mount | Dim. A for Right Angle Mount | Dim. B |
|-----------------|---------------------------|------------------------------|---------------|
| 10 | 1.100 (27.94) | .860 (21.84) | .400 (10.16) |
| 14 | 1.300 (33.02) | 1.060 (26.92) | .600 (15.24) |
| 16 | 1.400 (35.56) | 1.160 (29.46) | .700 (17.78) |
| 20 | 1.600 (40.64) | 1.360 (34.54) | .900 (22.86) |
| 26 | 1.900 (48.26) | 1.660 (42.16) | 1.200 (30.48) |
| 34 | 2.300 (58.42) | 2.060 (52.32) | 1.600 (40.64) |
| 40 | 2.600 (66.04) | 2.360 (59.94) | 1.900 (48.26) |
| 50 | 3.100 (78.74) | 2.860 (72.64) | 2.400 (60.96) |
| 60 | 3.600 (91.44) | 3.360 (85.34) | 2.900 (73.66) |